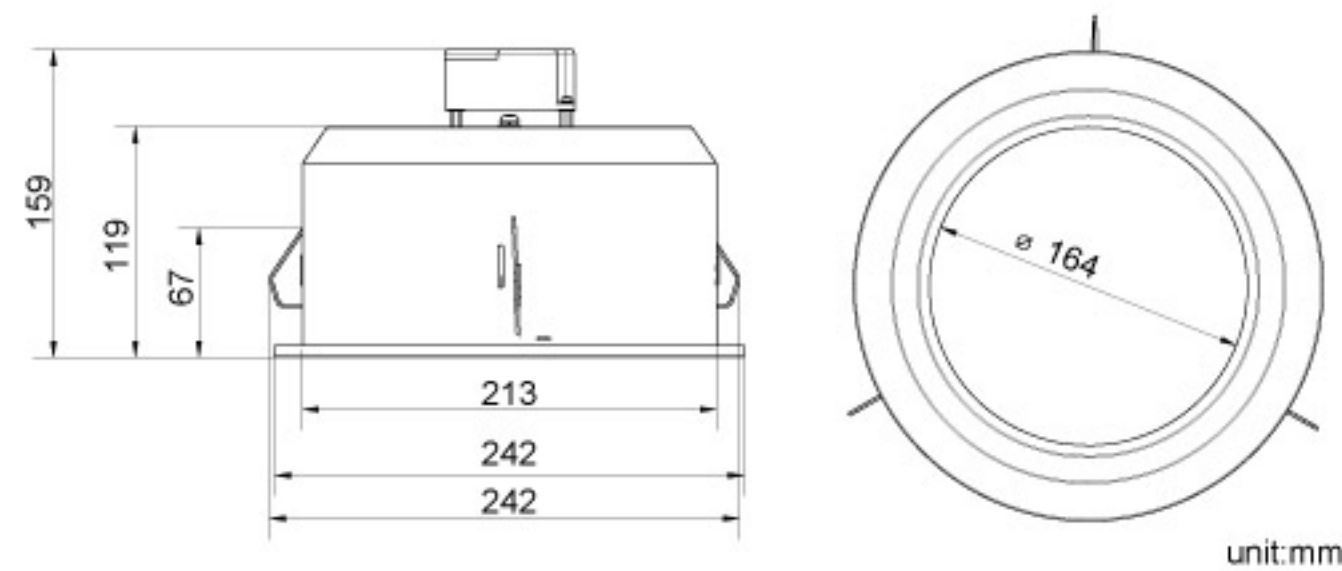


LED 8" downlight

DL8N3 215 series



Specification

Main Voltage/Frequency	100~240 V(AC)/50~60(HZ)
LED Power Consumption	22 W ± 10%
LED Luminous Flux	>1600 lm
LED Efficiency	>80 lm/W
Color Temperature	3800 ± 10% (Cool white is also available)
Color Rendering Index	>94/>75
Operating Temperature	-15°C ~ +50°C
Operating Relative Humidity	20%~80%
Lifespan (L70 life)*	50,000hours
Dimensions(mm)	Φ242 x H159
Weight	1.93kg
IP (Ingress Protection)	20
Certification	CE, UL, RoHS compliance
Dimming solution (Intelligent system)	N/A
Ceiling cut out(mm)	Φ 215

*Maintains at least 70% of initial lumen output

Applications

Shop, Restaurant, hotel, and office.

Description

DL8N3 series is a LED downlight product, integrating with Nichia most advanced LED chip to reach the best performance in color rendering. Compared to traditional CFL and Incandescent lamps, DL8N3 uses 20 pcs Nichia excellent LED with high lumen output which can replace traditional two 2x CFL fixture.

Features

- Top quality LED source from Nichia
- Longer life time (>50,000 hours)
- Color Rendering Index (CRI): >94
- Easy installation and maintenance
- Fashionable appearance
- Variety of options for different CRI and CCT

Payback comparison

FACTORS	Downlight		
	23w CFL x 2	fiti DL8N3 LED Downlight	100w Incandescent lamp
Lamp power consumption (watt)	46	22	100
System power consumption (watt)	52	26	100
Lifespan (Hours)	8,000	50,000	1,000
Color Rendering Index	80	>94	100
Comparison of energy consumption	Base on 100 pcs quantity		
System power consumption (watt)	5,200	2,600	10,000
Electricity consumption per day (kw-hr)*	62	31	120
Annual consumption (kw-hr)	22,776	11,388	43,800
Operation extra spending (5 years)	Base on EU area		
Cost of energy consumption**	\$20,498	\$10,249	\$39,420
Cost of lamp replacement	\$3,600	N/A	\$4,000
Cost of maintenance (Labor)***	\$1,200	N/A	\$80
Cost of ballast replacement (1 time)	\$2,000	N/A	N/A
Total Spending	\$27,298	\$10,249	\$43,500

Average each product saves \$300 after 5 years operation!!

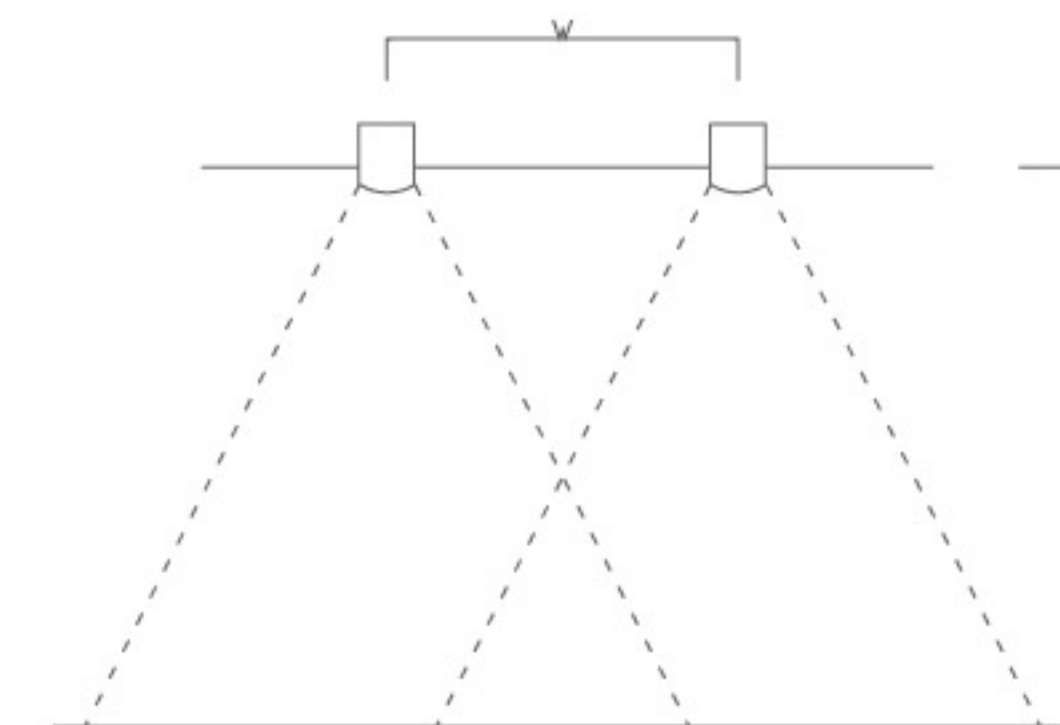
*For 12 hours operation **Annual consumption x 5years x \$ 0.18 USD (Base on European electricity rate)

***\$2 USD x 200 pcs x 3 times

Co2 emission

Co2 emission per year (kg)	15,488	7,744	29,784
----------------------------	--------	-------	--------

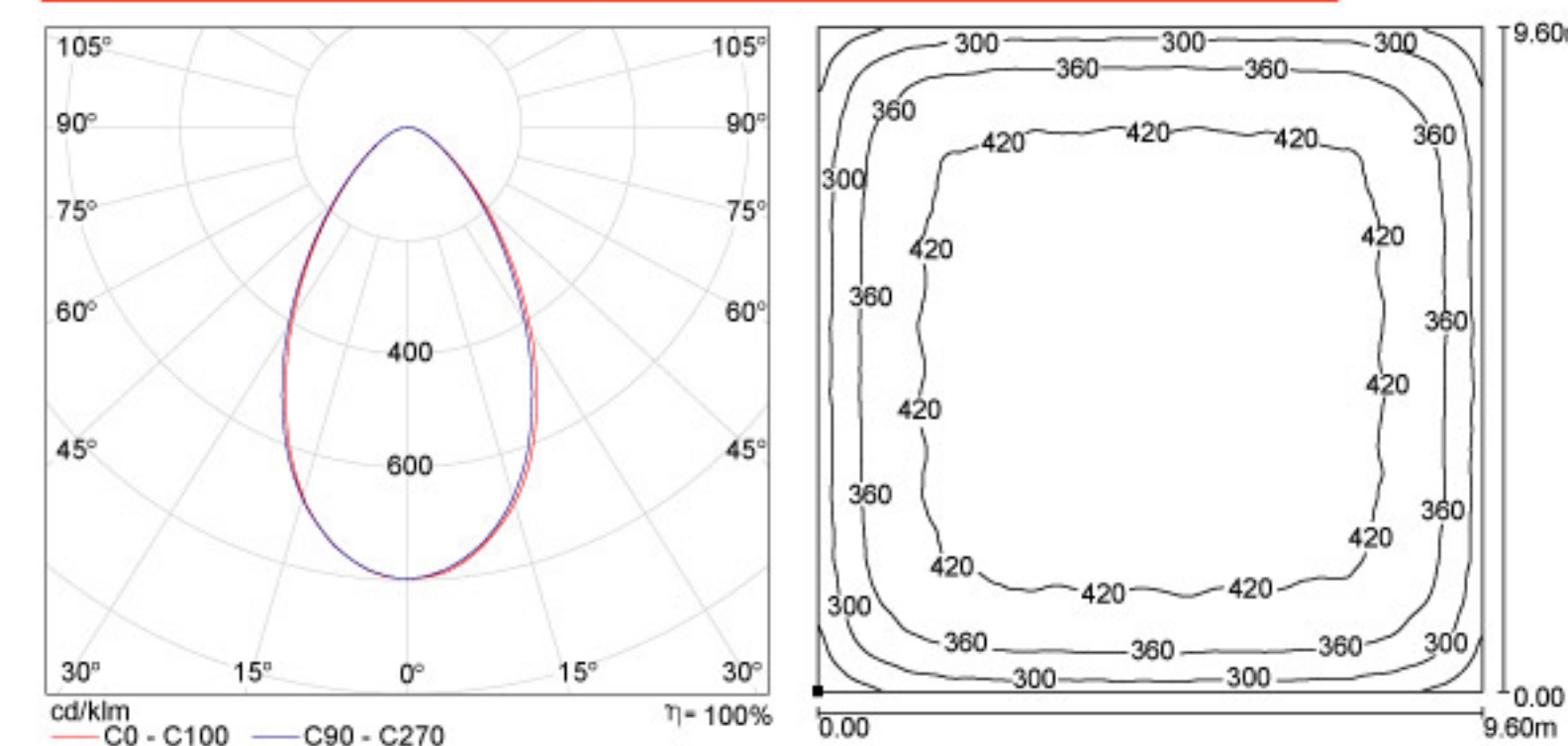
Application data



DL8N3 series	Average Illumination		
	2m height	2.5m height	3m height
Spacing: 1.2m	391	374	360
Spacing: 1.6m	273	262	254
Spacing: 2m	182	176	171

*This data differs from variety of factors such as reflector ratio.

Photometrics data



* This simulation is based on the room of 9.6 x 9.6 meters

Headquarters(Taiwan)

TEL : +886 37 580088 EXT.2337 FAX : +886 37 582690

ADD: No.16 KeJhong Rd., Science-Based Industrial Park, Jhunan Township, Miaoli County 350,Taiwan, R.O.C.

Mail to : lighting-sales@foxsemicon.com



LED 8" downlight

